

Electric Dirt Bike Manual

Table of contents

1. Safety and prevention	01
1.1 Warning	01
1.2 Rider usage	01
1.3 Precautions for a safe ride	02
1.4 Battery	02
1.5 Forbidden roads	03
1.6 Overload	03
1.7 Inclement weather	03
1.8 Operating parts under high temperature	04
1.9 Minimize the risk	04
2. Assembly	04
2.1 Handlebar stem	05
2.2 Front license plate	05
2.3 Front brake pump and acceleration handle	06
2.4 Handlebar assembly	06
2.5 Front fender assembly	07
2.6 Front wheel assembly	08
2.7 Tire inflation	09
2.8 Front brake pump assembly	09
2.9 Rear shock absorber assembly	10
2.10 Removal and removal of battery	11
2.11 Charging	12

3. Start and run	13
3.1 Pre-departure inspection	14
3.2 Pre-departure guidance	14
3.3 Start-up methods	14
4.0 Display	14
4.1 Velocity	14
4.2 Battery indicator light	14
4.3 Mileage	15
5.0 Fault display	15
5.1 Meaning of vehicle status codes	16
6.0 Settings	16
7.1 The specific combination of buttons is as follows	17
7.2 Introduction to key usage	17
7.3 Switch the content of the multi-functional display area	18
7.4 In the settings interface	18
8.0 Maintenance	19
9.0 Troubleshooting	20
10. Warranty	21、22

1.Safety and prevention

1.1 Warning

- 1.The operation of electric motorcycles has inherent risks. In specific cases, the operation of an electric motorcycle has the following elements:Motorcycles can break down, not because there are any defects in their manufacturing. Motorcycles are designed for sport, with the potential for relinquishing control, leading to a fall, accident, or dangerous situation, the effectiveness of which outweighs caution, guidance, or skill. In the event of such an incident, whether or not protective equipment and other safety measures are used, it may result in serious injury or loss of life. Please note that riding activities require understanding, taking risks on your own, and always using common sense.
- 2.This instruction manual contains many warnings and precautions, and users should be aware of the consequences of not checking and not maintaining when using electric motorcycles. We declare that users are injured or even killed under warnings and reminders. We repeatedly remind each warning and the responsibility rests with the user.
- 3.This electric motorcycle is not allowed to be used without carefully reading this user manual in advance.
- 4.Install individual components of your electric motorcycle correctly in accordance with this owner's manual, otherwise incorrect installation may result in control failure, collision, or crash. Please turn off the power before installation, repair or maintenance. Install the components properly, neither too loose nor too tight, otherwise damage or failure may be caused.

1.2 Rider usage

-It is recommended that users be aged 13 and above. Riders who do not meet the age requirements should not attempt to drive this electric motorcycle. Age requirement: 13 to 50 years old. Parent Notice: As a parent or guardian, it is your responsibility to ensure the activity and safety of your child. It is highly recommended that your child stay away from motorcycles.

People with the following conditions should operate with caution: patients with heart disease, pregnant women, patients with head, back or neck diseases, or those with a history of surgery or childbirth in these parts of the body.

Any person with physical flexibility or mental ability that may make them vulnerable to injury or damage their mental or physical condition, to recognize, understand, and execute all safety instructions, and to be able to withstand the inherent dangers of using the equipment.Before riding, check local laws or regulations that may affect where electric motorcycles are used.

Please check the status of the motorcycle before riding and ensure that everything is safe before riding.

1.3 Cycling apparel for safety

Wearing appropriate protective equipment is required:

Hard helmets are approved (we require helmets for all assigned personnel); Gloves, elbow and knee pads, trousers;

Lace up your shoes and wear shoes with rubber soles.

Do not ride without shoes or open-toed shoes.

It is recommended that you wear goggles to avoid eye contact with contaminants, dirt, and insects.

Please wear dark goggles in strong light, and goggles with higher transparency in low light. Do not wear high heels.

1.4 Battery

WARNING: Do not dispose of battery pack in fire. The battery pack could explode. ■

Do not mix old and new batteries. Do not mix alkaline batteries, standard (carbon zinc) batteries, or rechargeable (nickel cadmium) batteries.

The product contains lithium ions (LFP) batteries, which must be disposed of according to locally applicable procedures. Regulations on batteries. You should not discard lithium-ion batteries or dispose of them in garbage.

This product contains sealed lithium-ion batteries and must be handled properly. For more information, please contact your local recycling/reuse or hazardous waste center.

1.5 Forbidden roads

Do not drive on the motorway

Do not drive on roads with slopes exceeding 30 °, and do not venture through steep slopes, uneven roads, or other unfamiliar terrain. Do not ride indoors or on potentially damaged surfaces such as carpets or floors. Outdoor practice is prohibited until you are fully familiar with the operation methods of the motorcycle. The more you practice, the safer you will be able to ride in new situations. Please note the basic points of the exercise: First, you need to be in an accessible area (> 10m × 10m) Perform elementary exercises to practice riding forward, turning and stopping. Stay relaxed while practicing. When practicing for the first time, it is recommended to do it under the guidance of an experienced person or instructor. Try to practice navigating tight areas, turning, and stopping, movements that become more proficient as you go deeper in practice. Riding on ordinary roads is not allowed until you can precisely control the motorcycle through tight areas and simulate various terrain. Every time you upgrade your electric motorcycle, you need to experience the feeling of riding, so be sure to practice in the same area as the obstacle zone after your first motorcycle upgrade.

Do not ride on water, mud, ice, bumpy, uneven, slippery or rough surfaces. Submerge the motorcycle in water; Electrical and drive components may be damaged by water or cause other potentially unsafe conditions.

Do not drive in areas with limited visibility.

Do not drive on highways or run red lights. Obey the traffic rules and give way to pedestrians.

Please respect the rights of others with whom you share the road or sidewalk, including motorcyclists, cyclists, pedestrians, and other cyclists. Strengthen your awareness of self-protection while riding. Take care of yourself, vehicles and pedestrians.

1.6 When using a motorcycle, do not overload more than 120KG .

We recommend a rider's weight of approximately 80KG,

overloading beyond 80KG will cause permanent damage to the motorcycle and chain.

1.7 Inclement weather

Do not ride in inclement weather such as rainy, wet, wet, dry, arid, cold, foggy, windy or stormy weather.

Do not submerge the battery and motorcycle frame in water to avoid storms or prolonged riding in the rain.

Do not use strong current or high-pressure water gun to clean the motorcycle to avoid water ingress.

At the charging port. If your motorcycle has been exposed to storms for an extended period of time, stop using it immediately, wipe it with a dry soft cloth, and contact after-sales service.

Do not do anything other than wipe down the motorcycle so as not to void the warranty due to any wrongdoing.

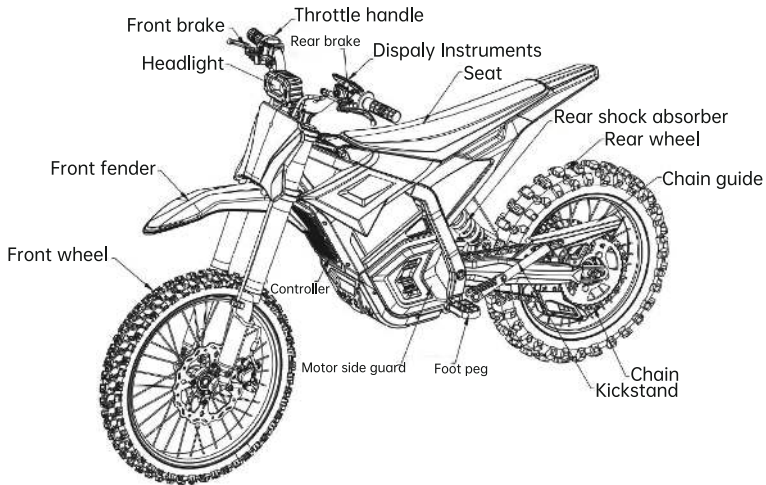
1.8 Operating parts under high temperature

Never touch the motor or brakes on your motorcycle after use, as these parts can get very hot and damage the human skin.

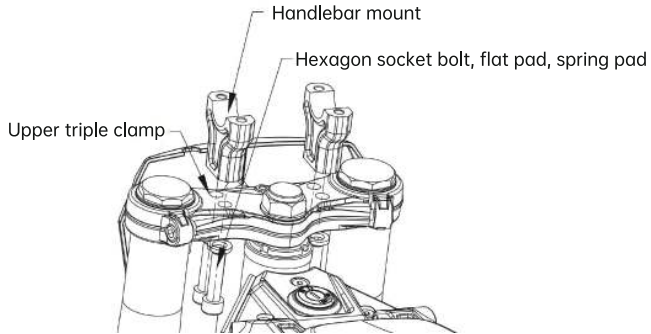
1.9 Minimize the risk

To reduce the risk and avoid life threatening, hold the handle with both hands when the user starts riding, and never perform any high-risk manipulation to avoid increasing the risk of riding. Do not use your motorcycle as a cargo transport. When approaching or crossing intersections, motor vehicle lanes, turning or passing gates, please slow down and allow pedestrians, bicycles and motor vehicles to go ahead. Do not ride a motorcycle after being sick or unable to fully follow the instructions specified in this owner's manual, or after taking medication or drinking alcohol. Comply with local traffic laws so as not to affect the driving of electric motorcycles. It is your responsibility to be aware of and comply with the laws of your location as to the specific locations where it can be used.

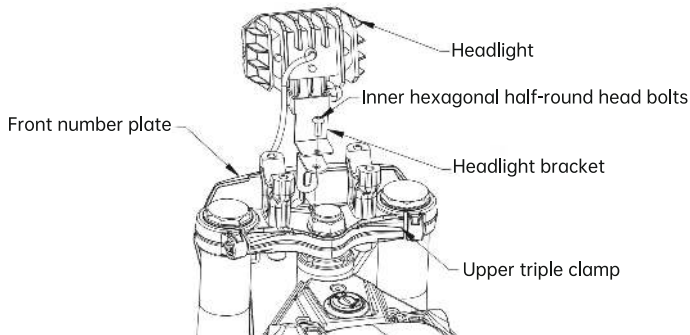
2.Assembly



2.1 Handlebar stem

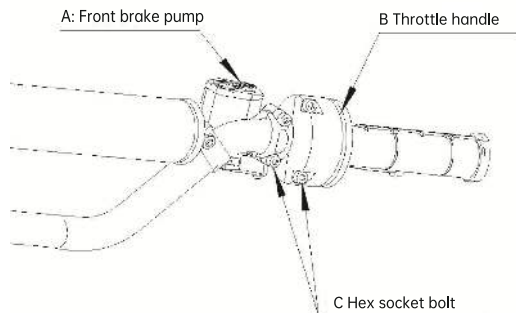


Use hexagon socket bolt C to penetrate the upper connecting plate B from bottom to top, and then install the direction seat A on the upper connecting plate A. When the handlebar assembly is installed, use an 8mm hexagon socket hand to tighten it;



The lower part of the number plate A is inserted into the hole on the front clay plate, and then the number plate is installed into the front part of the upper connecting plate C with an internally produced semi-circular head bolt and fastened with a 5mm socket hexagon;

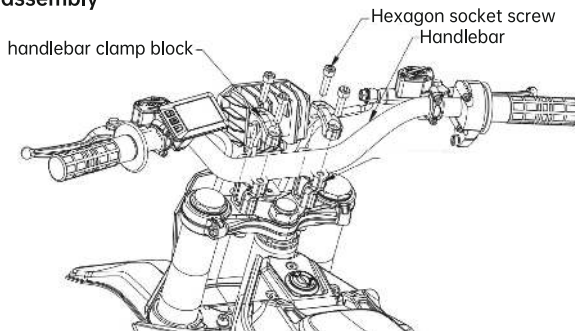
2.3 Front brake pump and acceleration handle



▲ Tighten the handlebar grip screw as shown in the figure. Align the throttle grip plane with the installation stop line of the throttle grip—the zero line.

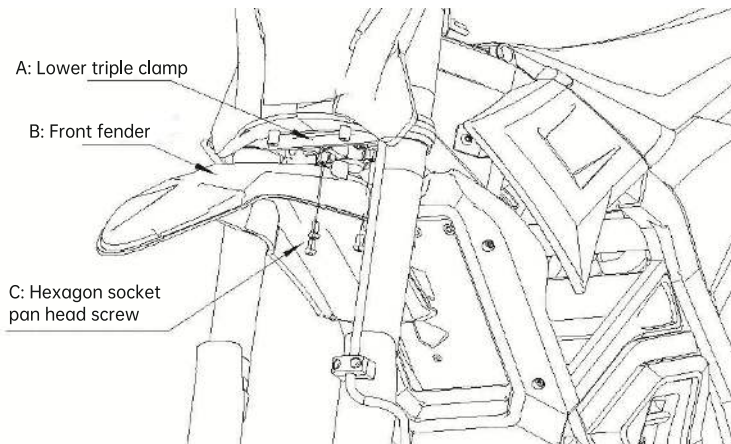
Insert the front brake pump A and the acceleration handle B into the direction handle in turn (the brake handle faces 12 degrees downward horizontally), and then tighten it with a 4mm allen wrench;

2.4 Handlebar assembly



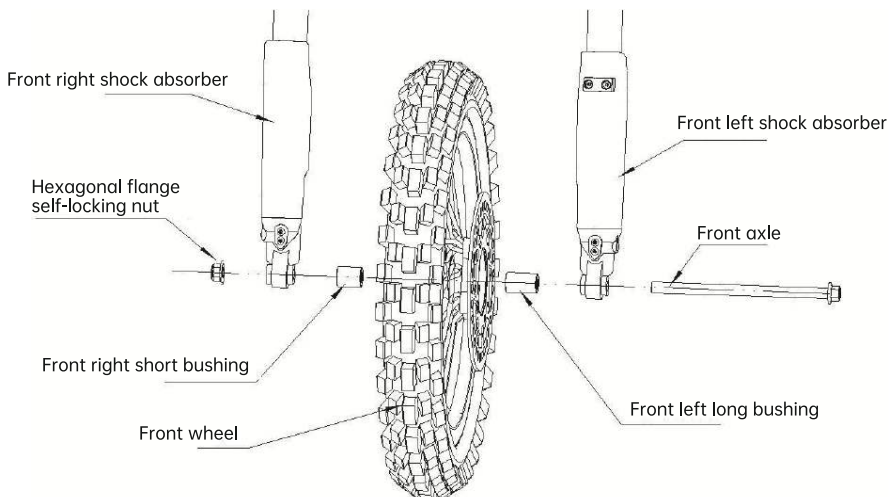
First, place direction A vertically into the direction handle seat C of the upper connecting plate, and then use internal hex screw B to press direction handle block D tightly against direction A. Use a 6mm hex wrench to install and tighten 4 screws. Apply pressure to ensure that the handlebars do not move backward or forward.

2.5 Front fender assembly



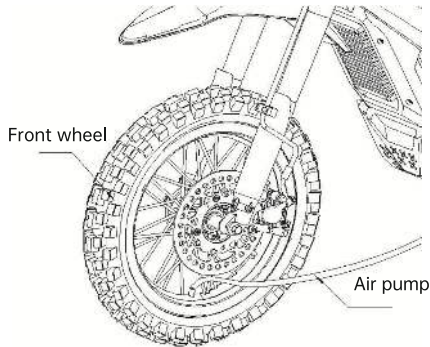
Install the front mud plate B vertically onto the lower connecting plate A, and fix the front mud plate with the hexagon socket head screw C; And tighten the hexagon socket head screw C with a 5mm hex wrench; Apply pressure to ensure that the front mudguard B is securely fastened and cannot move;

2.6 Front wheel assembly



Tighten G front wheel axle, F front left shock absorber, E front left long bushing, D front wheel, C front right bushing, A front right shock absorber, B hexagonal flange self-locking nut in sequence with corresponding wrenches;

2.7 Tire inflation

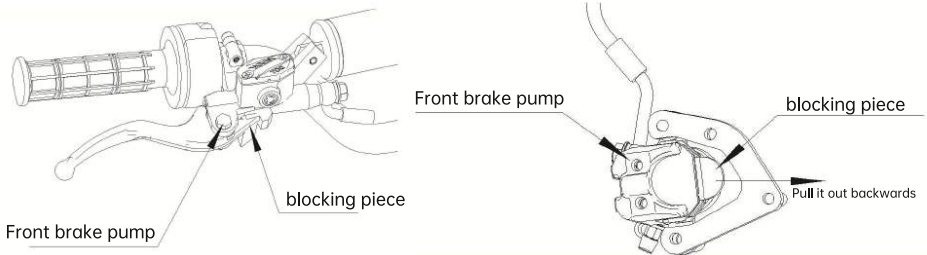


Tools required: Air/Tire pump

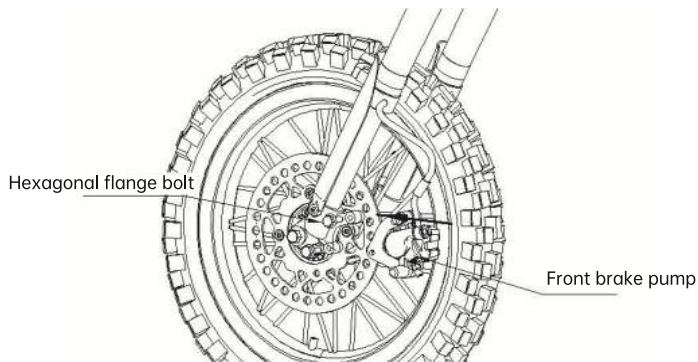
Inflate the tires to the maximum PSI before transportation, but there may be some air pressure between the production date and the purchase date. Inflate the tires using a Schrader type valve with a hand pump and pressure gauge. It is not recommended to use pressurization systems similar to gas stations, as these systems are designed to inflate car tires, which have much higher air pressure and capacity.

Warning: Ensure that the rear tires. Confirm PSI before riding the motorcycle.

2.8 Front brake pump assembly

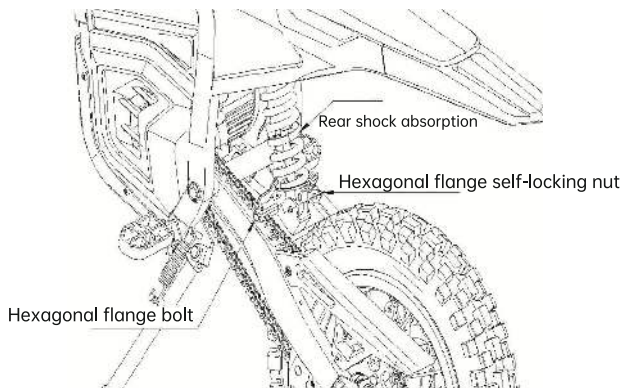


- 1): First grasp the brake handle on pump A on the front brake with your hand, and then pull out the black plug on the pump;
- 2): Then pull out the plug D on the front brake lower pump C backward;



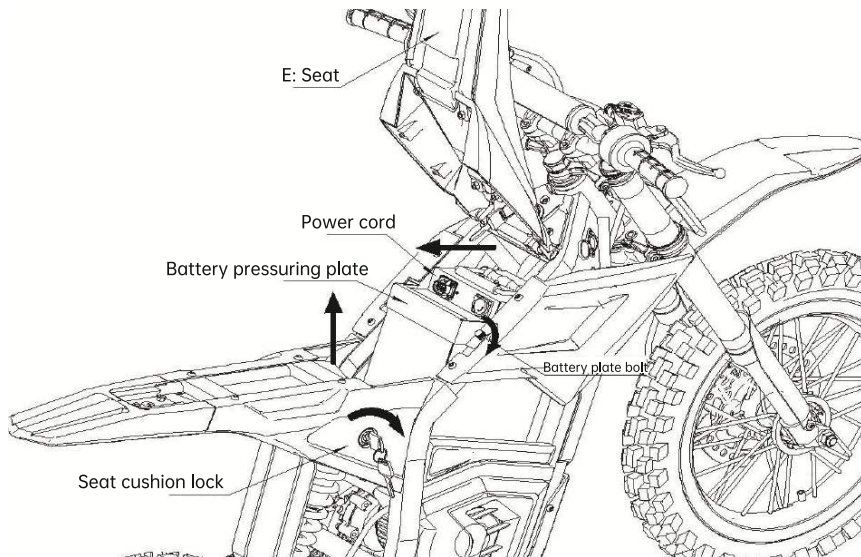
Clamp the front brake pump B on the disc brake disc in the direction of the arrow (the disc is in the middle of the two brake pads), then install the front brake pump on the front left shock absorber with hexagonal flange bolts, and tighten it with the corresponding panel;

2.8 Front brake pump assembly



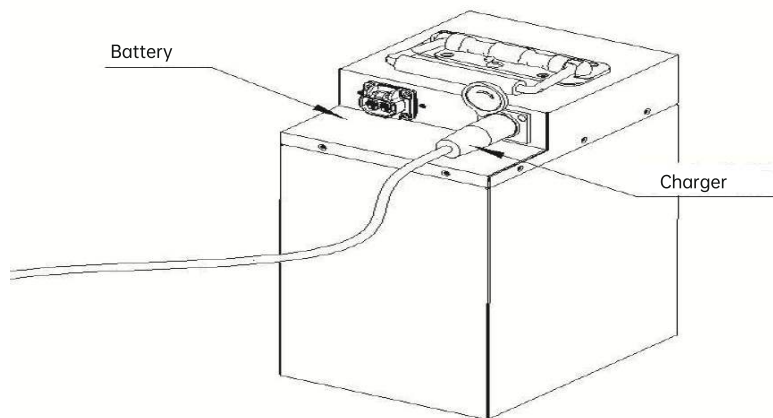
Put the rear shock absorber A into the shock absorber fixing seat on the rear flat fork, penetrate the shock absorber through the hexagonal flange face bolt B from left to right and fasten it with the hexagonal flange face self-locking nut and the corresponding panel;

2.10 Removal and removal of battery



1. Rotate seat cushion lock A clockwise and then open the seat upwards by 90 °.
2. Loosen bolts B on both ends of battery pressure plate C clockwise and remove the battery pressure plate;
3. Unplug the power cord D on the battery, and then lift the battery back and then up;

2.11 Charging



Insert the plug of B charger into the socket where A battery is charged, and insert the power plug of the charger into the plug board of the power supply to charge.

Remove the battery from the battery compartment and charge it with the corresponding charging port (three pin socket) of the charger. It takes about 7-8 hours to fully charge (0-100%). Do not charge when the slot/socket is damp. Charge the motorcycle with the correct power source. While charging, keep away from children, pets or flammable materials.

Warning: Any changes or modifications made to this device without the explicit approval of the party responsible for compliance may result in the loss of user access to operate the device.

Note: Due to different test environments, the values of cruising range will vary greatly. In this test, the rider's weight is 70kg, ambient temperature is 25°C, velocity is 20km/h. The actual measurement data of the product.

We are committed to continuously improving product performance. Product specifications and the contents of this manual are subject to change in the future without notice. Please have an understand! If the icons, pictures, etc. in the manual do not match the actual product, please refer to the actual product.

3.0 Start and run

Before riding, for your safety, please check the following hardware: Brake lever Check whether the braking system works flexibly, make sure to cut off the power when braking. Ensure that the brakes are working properly, with proper tension, and that the brakes can react in time and stop the tire rolling.

Throttle valve

Make sure that you are in an open and safe area to ride before turning the throttle, that you are balanced on the motorcycle, and that your hands are on the handle controls.

Tire

Check that the wheels are turning well and that the tire pressure is within the normal range. Ensure that the pressure of the rear tires is within the correct PSI range, and then ride the motorcycle.

Battery

Check if the battery is fully charged. Make sure to turn off the power switch when the motorcycle is not in use. Never store products frozen or at extremely high temperatures (our recommended temperature is (68 ° F (20°C)-45 ° F (7°C)). Extreme temperatures will permanently damage the battery.

If the battery is low, the motorcycle may not be able to travel at a consistent high speed as expected. You can charge for a better ride.

Plate and fork

Always check your motorcycle before riding. Check for cracked, broken, worn, or loose parts that should be repaired or replaced before riding

Instrument panel (display)

Make sure that the dashboard can display an image when the switch is turned on, check the remaining power, and there is no error indicator light on the dashboard.

3.2 Pre-departure guidance

Before you ride, be sure to check the following to ensure your safety.

The starting gear is always in 1st gear (ECO mode). This product has 3 gears, and users can switch gears through the buttons on the dashboard. For your safety, do not ride your motorcycle in high gear. When driving at high speed, the motorcycle bracket must be lifted. When using the motorcycle, a protective helmet must be worn.

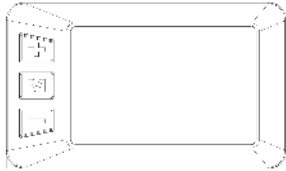
Comply with local traffic regulations, which may affect the location where electric motorcycles are used. You are obligated to know and comply with local laws and regulations.

3.3 Start-up methods

Open the electric door lock, the instrument lights up and displays 0 gear. At this time, the vehicle does not work. You need to press the "+" key to switch to a gear above 1 gear, and the handlebar can work and you can ride;

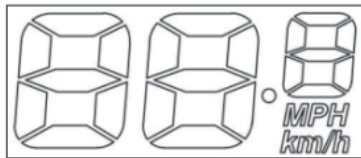
4.0 Display

Display function:



4.1.Velocity

Speed range:

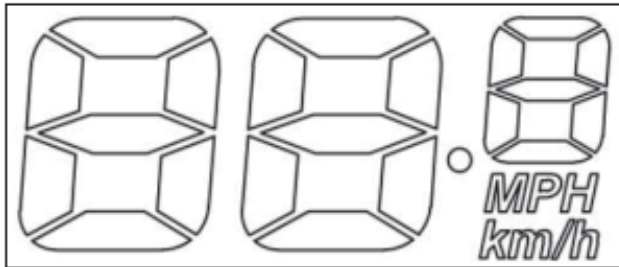


4.2 Battery indicator light

Power level status:

4.3. Mileage:

Single driving distance DIS; Total mileage ODO (unit: miles; kilometers):



5.0 Fault display



5.1 Meaning of vehicle status codes:

Error Code (decimal)	Status	Note
E00	Normal	
E01	Reserved	
E02	Brake Error	
E03	PAS Sensor Error (Riding Mark)	Not Realized
E04	Walk Assist Mode	
E05	Real-Time Cruise	
E06	Low Voltage Protection	
E07	Motor Error	
E08	Throttle Error	
E09	Controller Error	
E10	Communications Error	
E12	BMS Communications Error	
E13	Front Light Error	

6.0 Settings

P01: Backlight brightness, level 1 is the darkest, level 3 is the brightest;

P02: Mileage unit, 0: KM; 1: MILE;

P03: Voltage level: 24V-72V, default 36V;

P04: Sleep time: 0, no sleep; other numbers are sleep time, range: 1-60; unit: minutes;

P05: Power gear: 0,3 mode: 0 to 3, 1,3 mode: 1 to 3, no 0 gear; Power gear 0,5 mode: 0 to 5, 1,5 mode: 1 to 5, no 0 gear; Power gear 0, 9 mode: 0 to 9, 1,9 mode: 1 to 9, no 0 gear;

P06: Wheel diameter: unit, inch; accuracy: 0.1;

P07: Number of speed magnets: range: 1-255;

P08: Speed limit: range 0-100km/h

P09: Zero start, non-zero start setting, 0: Zero start; 1: Non-zero start;

P10: Drive mode setting



0: Power drive (how much power is output is determined by the power gear, the handlebar is invalid at this time);

- 1: Electric drive (driven by the handlebar, the power gear is invalid at this time);
- 2: Power drive and electric drive coexist at the same time (electric drive is invalid in zero start state);
- P11: Power sensitivity setting range: 1-24;
- P12: Power start intensity setting range: 0-5;
- P13: Power magnet disk type setting 5, 8, 12 magnets three types;
- P14: Controller current limit value setting default 12A range: 1-20A;
- P15: Instrument undervoltage value;
- P16: ODO reset setting: long press the up button for 5 seconds ODO reset ;
- P17: Cruise control function: 0: No cruise control 1: Cruise control (optional);

7.1 The specific combination of buttons is as follows






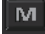
7.2. Introduction to key usage

The key operation is divided into short press and long press, as well as combination key  long  press and


short press for quick/frequent operations . For example, short press can switch the assist/speed gear during cycling; short press can switch the display data of multi-function area during cycling.



Note: Single long press is mainly used for mode/switch status switching, and compound key (long press) is used for parameter setting. In order to reduce misoperation (short press does not do compound key, because it is easy to trigger), the specific operation explanation is as follows:

Set or cancel the 6Km/h cruise, real-time cruise, and turn on/off headlights. When  the vehicle is stationary, long







press to enter 6KM/h cruise  mode. While riding, long press to enter real-time cruise mode; if you  are in cruise mode, long press to cancel it. Long press for 3 seconds to  turn on/off the headlights. Switch the LCD display: if the display is currently active, long press for 3 seconds to turn it off; otherwise, press to turn it on.

7.3. Switch the content of the multi-functional display area

Short press  to switch the value of the multi-function display area.

Set parameters: Long  press  the + button to enter the parameter settings interface. The parameters that can be set include: backlight brightness, mileage unit, voltage level, sleep time, assist gear, wheel diameter, number of magnets, speed limit, zero-start and non-zero-start settings, drive method, assist sensitivity, assist start strength, assist magnet disk type, controller current limit value, and ODO reset settings;

7.4 In the settings interface

you can  switch between menu items  by  short pressing. Short pressing allows you to set the parameter values under the  current menu. The parameters will flash after modification . After  selecting the desired value, short pressing saves the current settings and moves to the next menu item. Long pressing + exits the settings. If the instrument remains inactive for 10 seconds, it will also exit the menu item.

8.0 Maintenance

Battery: Use only the included battery. If the battery has been discontinued, immediately replace it with the recommended battery supplied with the electric motorcycle.

Battery charger: Use only the included battery charger. If the battery is out of service, please immediately replace it with the recommended battery charger supplied with our electric motorcycle.

Wheels: Wheels and drive system components will age or wear normally. It is the user's responsibility to systematically check the wheels for excessive wear and to properly adjust and replace drive system components if necessary.

Spare parts: Most common spare parts are available through our distributors

9.0 Troubleshooting

Questions	Possible causes	Solutions
The motorcycle won't start and run	<ol style="list-style-type: none"> 1. The battery is not fully charged 2. Loose or poorly plugged wires or cables 	<ol style="list-style-type: none"> 1. Fully charge. The first charge should be 12 hours. Charge time up to 8-9 hours 2. Check that all cables are firmly plugged into the controller
The motorcycle cannot start and has a short running time	<ol style="list-style-type: none"> 1. The battery needs to be charged 2. The battery cannot accept a full charge 3. The rear tires are not properly inflated 	<ol style="list-style-type: none"> 1. Fully charge the battery. The first charge should be 12 hours. The longest charging time is 8-9 hours 2. Ensure power flow directionThe wall outlet is open. Battery may need to be replaced Even if the correct method is used, the battery will still be replaced; Rechargeable batteries will not last forever. The average lifespan of rechargeable batteries is 1 to 2 years 3. Check if the tires are in place. If PSI is correct, otherwise inflate the tires before riding.
The motorcycle cannot run usually short travel distance	<ol style="list-style-type: none"> 1. The battery needs to be charged 2. The battery cannot accept a full charge 3. The rear tires are not properly inflated 4. Continuous driving at high speed 5. Frequent uphill riding or riding against the wind, frequent braking, heavy load 	<ol style="list-style-type: none"> 1. Fully charge the battery. First, The charging time should be 12 hours, with a maximum charging time of 8-9 hours 2. Make sure the power flows to the wall socket. What batteries may require Even with proper care, rechargeable batteries won't last forever. The average lifespan of rechargeable batteries is 1 to 2 years, depending on the conditions and usage of the motorcycle. 3. Check if the tires are installed correctly. If PSI is not, please inflate the tires before riding 4. Drive at medium speed. 5. Avoid frequent braking, starting or heavy loading
Motorcycle runs slowly	<ol style="list-style-type: none"> 1.Brakes are not adjusted correctly 2. Motorcycle is overloaded 3. Frequent uphill driving or driving against the wind, frequent braking, and heavy load. 4. Rear tires are not inflated correctly 	<ol style="list-style-type: none"> 1. Adjust the appropriate tension and the brake can respond in time 2. When using a motorcycle, the loading weight shall not exceed 80KG 3. Avoid frequent braking, starting or heavy loading. 4. Check that the tires are at the correct P SI, if not, inflate them before riding
The motor is running when the motorcycle makes a noise	<ol style="list-style-type: none"> 1. Chain drying 2. Motorcycle is overloaded 	<ol style="list-style-type: none"> 1. Apply lubricant to the chain 2. When using a motorcycle, the weight shall not exceed 80KG

Note

1.Motorcycle's major components, such as battery cells, motors, chargers, and controllers, are labeled before delivery. Please note that major parts without labels are not covered by the warranty.

10.0 Warranty

The following situations do not fall within the scope of free after-sales service:

1. Consumables and wearing parts are not covered by the warranty: (tires and lines, entire brake system, plastic parts, brake cables and covers, etc);
2. Warranty parts that exceed the warranty period;
3. Damage caused by the user not strictly following the instructions.
4. Damage or quality problems caused by accidental impacts, collisions, and exposure to corrosive substances;
5. The purchase invoice is inconsistent with the warranty card.
6. Situations where unauthorized disassembly or modification results in damage to parts, or where the initial failure state is destroyed due to unauthorized disassembly or modification and technical assessment and analysis cannot be carried out.
7. Once a motorcycle has been scrapped, cosmetic problems must never be used as the basis for exchange or warranty. Please carefully check the appearance and confirm the surface quality when purchasing.
8. Damage caused by modifications made without the prior consent of our company or our authorized sales and service center.
9. Warranty period of main components of port electric motorcycle:

Part name	Warranty period	Exceptions	Note
Frame structure	12 months	Damage caused by strong intentional impact	Out-of-warranty replacements will be charged at cost
Lithium-ion battery	12 months	According to the grade of the battery Degradation, avoid maintaining battery temperature at low speed charging The degree of degradation is too low. See Long-term Available Capacity Charge at the following temperature: 14F is the available 70% capacity, and 32 ° F is approximately 80% Capacity 70 ° F is approximately 90-95% usable capacity If the voltage is abnormal and it cannot be charged, a replacement warranty service will be provided. Discharge meter detects less than 70% of the available capacity	Out-of-warranty replacements will be charged at cost
Controller	12 months	A warranty will be provided if: Performance failure or quality problem due to product reasons that cannot be repaired	Out-of-warranty replacements will be charged at cost
Motor	12 months	Coil burn. Wheel hub damage caused by demagnetization, short circuit, open circuit, abnormal noise, damage due to material damage, deformation, fracture, etc	Replacement outside the warranty period will be charged at cost price

Instrument panel (display)	6 months	In the event of performance failure or quality issues, a warranty will be provided.	Out-of-warranty replacements will be charged at cost
Brake handle, Disc brake, accelerator pedal Brakes, plastic parts, tires, LED lights, mud fenders, chains, tires, inner tubes, screws, bearings, shock absorbers, and other fast-wearing parts.	Fast wear parts are not covered by warranty		Replacement parts Not covered by warranty will be charged at cost price

The manufacturer guarantees that this product has no manufacturing defects within 90 days from the date of purchase. This limited warranty does not cover normal wear and tear, tires, cables or any damage, failure or loss caused by improper assembly, maintenance, storage or use of our motorcycles.

The manufacturer is not liable for accidental or consequential loss or damage caused by direct or indirect use of this product. We do not offer extended warranties

This limited warranty will expire if the product is used for purposes other than entertainment or transportation

- Modify in any way
- Use or lease

